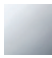

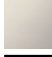





24 510 360

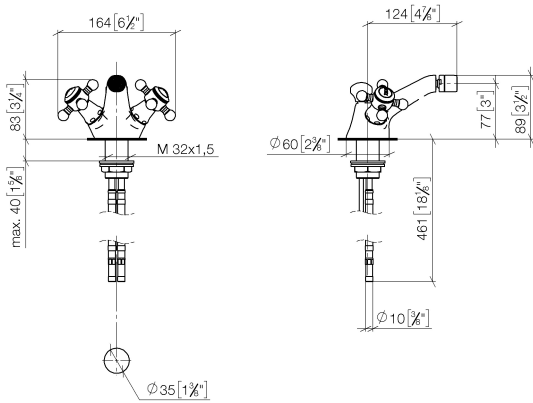


- 125mm projection
- ball-joint pivotable through 15°
- circular, air-enriched flow
- height of mixer 88 mm
- height up to aerator 78 mm
- hole diameter 35 mm
- 2x screw-in M 10 x 1 pressure hose, leak-tested
- max. flow 7 l/min
- WRAS 1802016

	Chrome	24 510 360-00
	Brushed Platinum	24 510 360-06
	Platinum	24 510 360-08
	Durabrand (23kt Gold)	24 510 360-09
	Brushed Durabrand (23kt Gold)	24 510 360-28
	Brushed Dark Platinum	24 510 360-99

24 510 360

mm [inches]



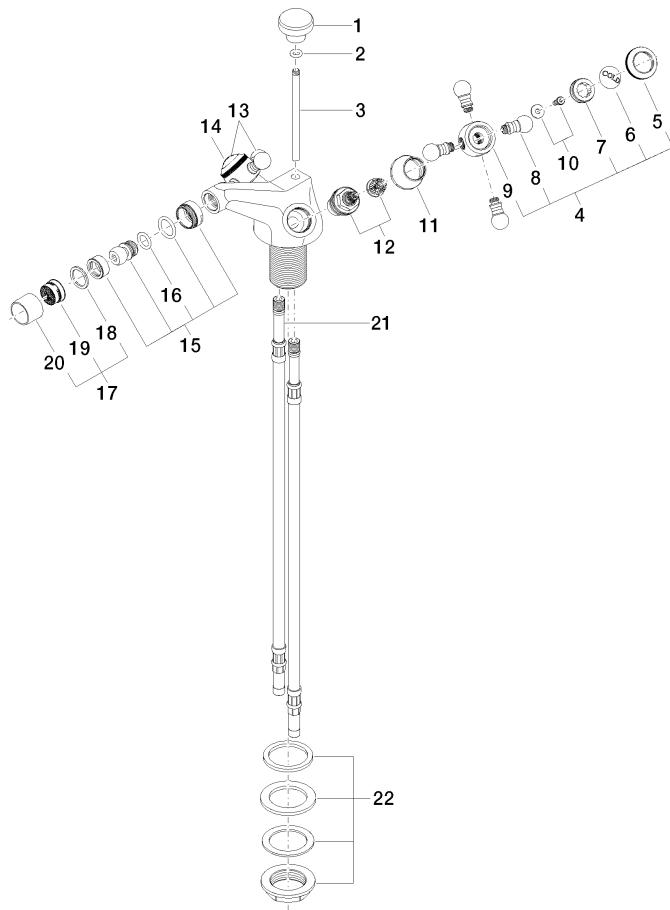
Flow rate chart



Certificates

WRAS_2310005.

24 510 360



23 ——— Abbausperle 04.11.01.001.00-#